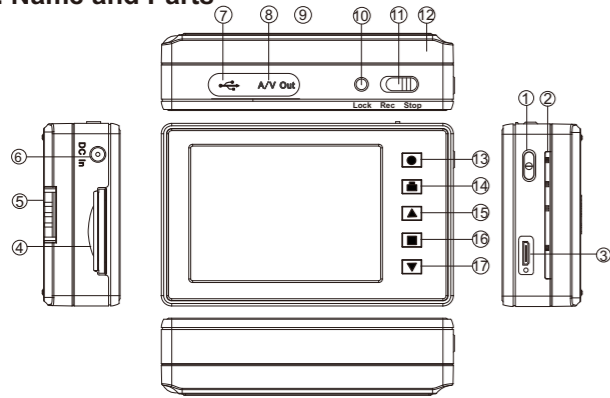
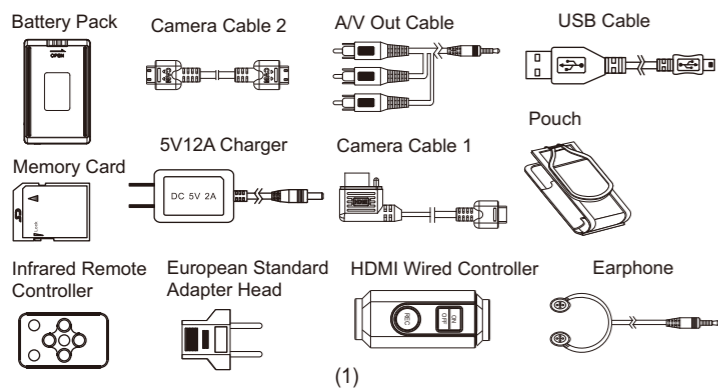


### 1. Name and Parts



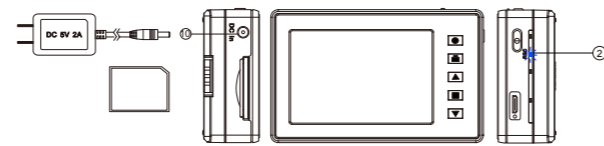
- 1. Power/Menu Button
- 2. Status Bar
- 3. Digital Cam In
- 4. Memory Card Slot
- 5. Battery Lock
- 6. DC In Jack
- 7. USB Port
- 8. A/V Out Port
- 9. 2.5 Inch LCD Display
- 10. Screen Lock Button
- 11. Record/Stop Button
- 12. Battery Pack
- 13. Record Button
- 14. Photo Button
- 15. Up Button
- 16. Confirm Button
- 17. Down Button

### 2. Package Content



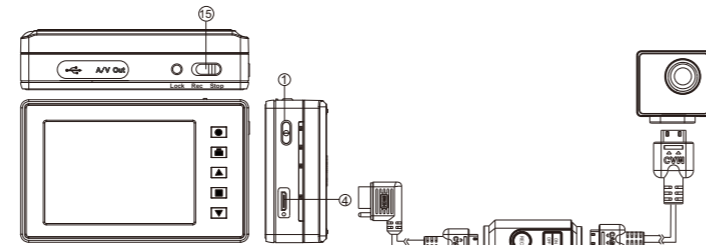
(1)

### 3. Charging Battery



1. Connect the charger plug to DC In Jack ⑩.
2. Plug power cord of the charger to an AC wall outlet. Charging starts automatically.
3. The LED bar ② will illuminate blue to show the device is in charging mode. Charging time required is 3 to 4 hours.
4. After charging is completed, blue light turns off automatically.

### 4. Connecting Camera

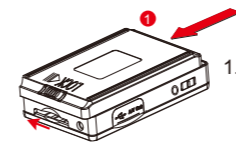


1. To connect a digital camera, plug digital camera jack into DIGITAL CAM IN port ④ on the device.
2. Power on the DVR by pressing ①.
3. Switch REC/STOP (15) to REC before Power on if like to start the recording automatically all the way as long as power on the unit.
4. Various recording modes are optional on settings menu page further.

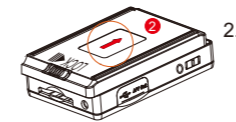
(2)

### 5. Installing and Removing Battery

NOTE: The battery pack is a removable one. You can purchase extra batteries depending on your application. Following the instructions indicated below to remove/replace battery.



1. To remove the battery, gently push LOCK switch to right side and push battery in the direction of the red arrow.



2. To install the battery, attach the battery to the DVR and gently push the battery in the direction of the red arrow.



3. Slide the LOCK switch in direction of the red arrow to lock the battery onto device.

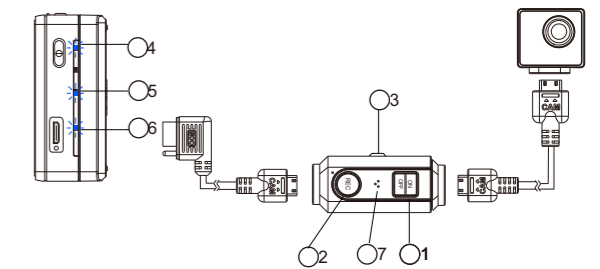
### 6. Activating Key Lock



1. Press the Lock button once. A lock icon appears on the screen. This indicates screen lock is activated to avoid accidental screen operation.
2. Press the Lock button again. The lock icon disappears from the screen. This indicates Key lock is deactivated.

(3)

### 7. Wired Controller



1. Long press ON/OFF button ① on the controller, the Power Blue LED ④ on the unit lights up while Camera Blue LED ⑤ will lights up as well to show the connection is OK

2. To start recording, press REC button ② once. The Record Blue LED ⑥ on the unit illuminates to show the DVR is recording.

NOTE: If PVD-500FHD is set to open the Pre-Capture feature whatever in Motion Detect or Manual Mode. The device record 5 seconds before video recording is activated.

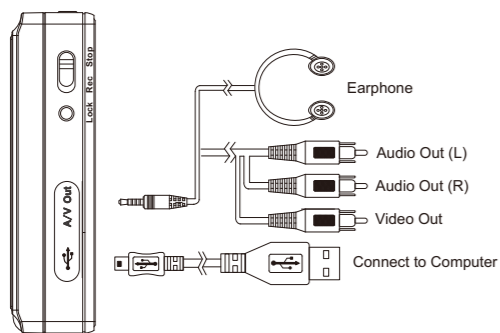
3. To take a snap-shot during recording, press (15) button ③ on the side of the controller. The image file is automatically saved on the memory card.

4. To end recording, press REC button ② once again. To turn off the power of the unit, long press ON/OFF button ② on controller again.

5. ⑦ is the high sensitivity MIC to collect the environment sound surround the unit.

(4)

### 8. Connecting Computer and Monitor



1. Flip up USB port cover. You will see one USB 2.0 port and one A/V Out port.
2. Insert the USB Cable into the USB port to connect a computer to the device.
3. Insert A/V Out Cable into the A/V out port to connect a monitor to the device.

NOTE: You can also insert earphones into AV-Out port for listening to recordings.

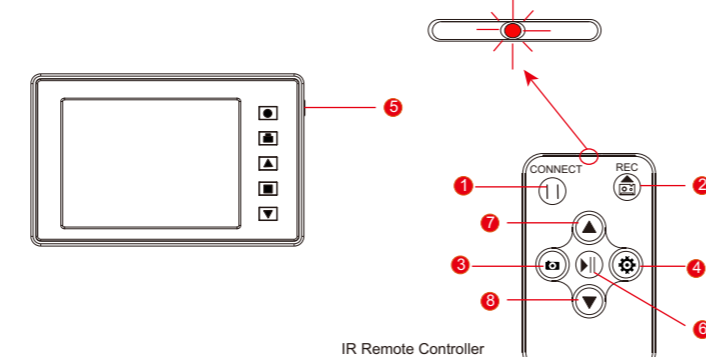
### 9. Retrieving Video Footage

1. Video files are stored on the memory card.
2. There are two methods to retrieve video files.
  - (1) Using a USB Cable to connect to a computer.
  - (2) Using a card reader to retrieve files from the memory card.
3. The computer detects the storage and user may browse and operate the storage as a typical folder directory. i.e. Rename, copy and paste, delete, duplicate, etc.



(5)

### 10. Edit Settings by IR Controller or Keypad on unit

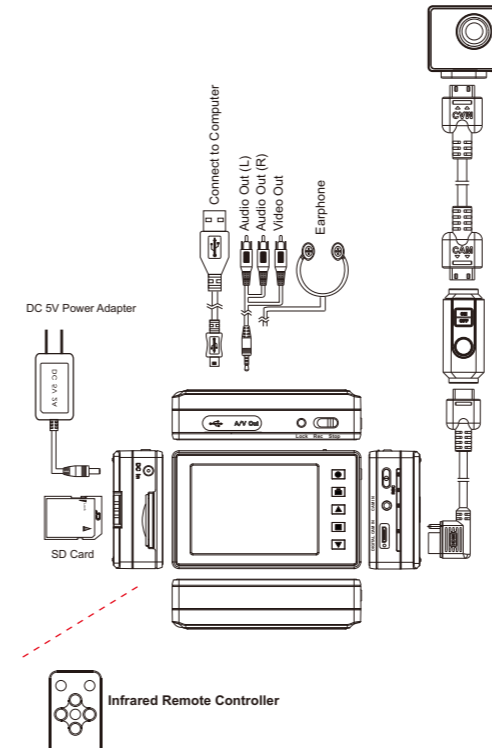


1. Matching the RF remote Frequency to DVR by pushing & holding ① until RF LED light in front has stopped twinkling which mean matching complete
2. Turn on the DVR by pushing & holding ⑤ for 3 seconds before using the RF remote controller.
3. As long as within a certain range the RF controller can control the unit remotely
4. Press Rec ② on the RF remote to start recording and press ② again to stop .
5. Press ③ to take photo while under preview and snapshot while under recording
6. Push ④ for entering Recorder Setting
7. Entering Program Setting and edit the setting by pushing ⑥ ⑦ ⑧
8. To turn off DVR by pushing & holding ⑤ for 3 seconds
9. Operating the touch screen interface to edit settings.

Note that the RF remote controller doesn't serves to turn on & off the DVR unit. To turn on & off the DVR unit only push the power button on the DVR device or the cable controller

(6)

### 11. Connection Illustration



(7)

## Portable DVR with HD Digital Camera

