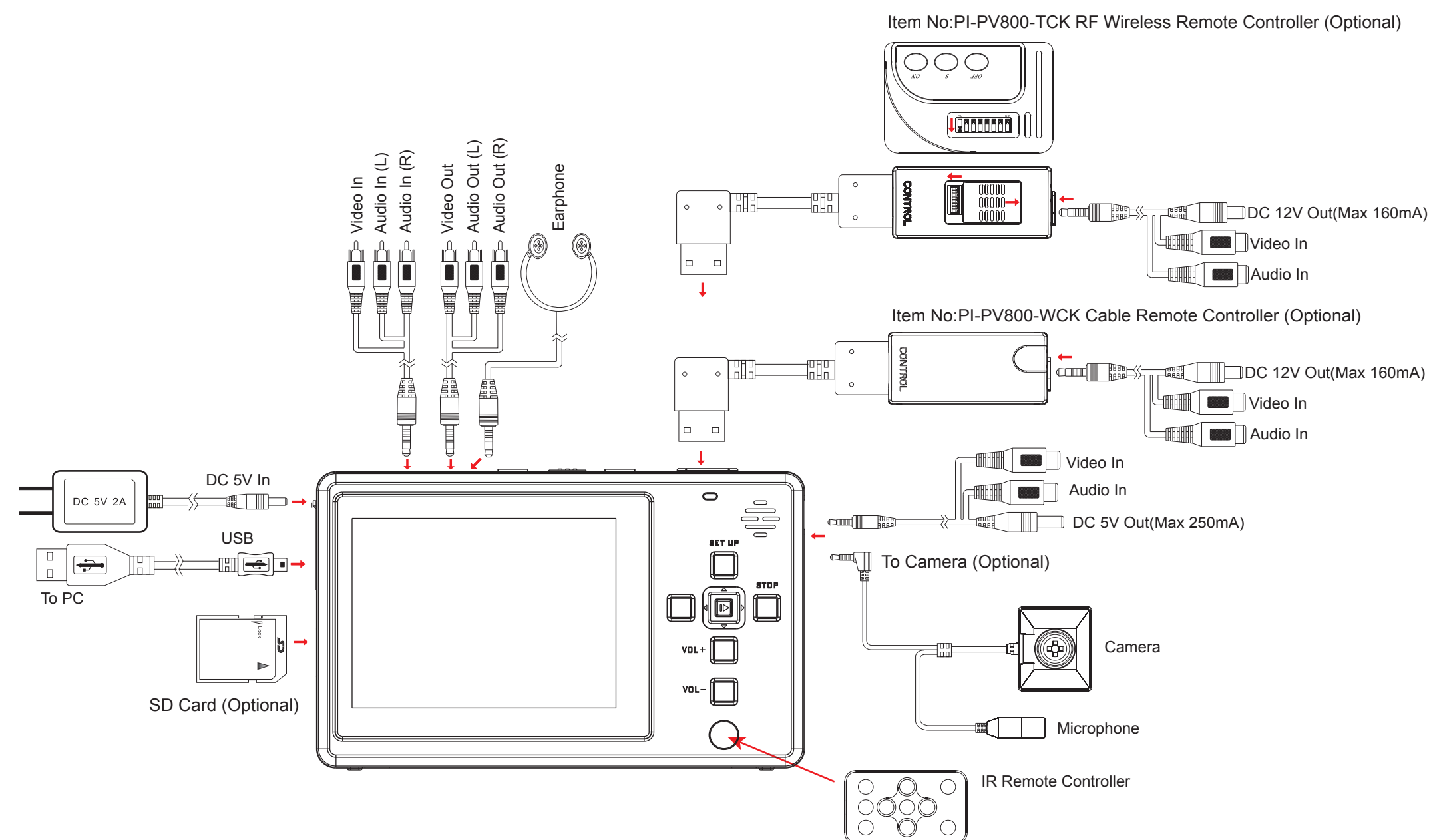


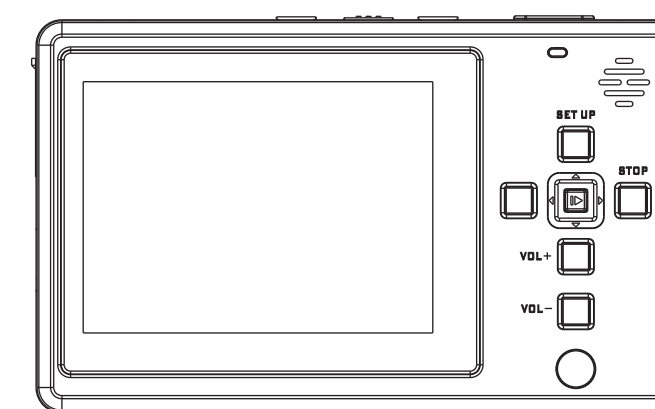
PV-1000 Connections Illustration



PV-1000

Portable Digital Video Recorder

Operation Manual



Law Enforcement Products Manufacturer
LawMate

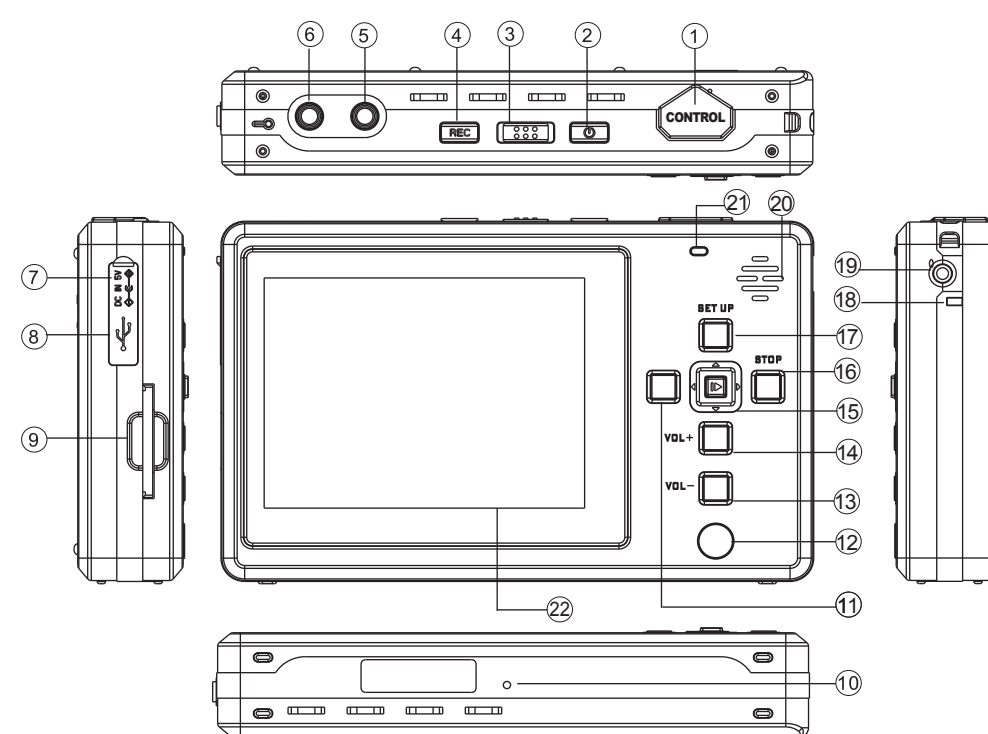
V1.0

SPECIFICATION

PV-1000 Name and Function of Parts

Model	PV-1000
Display	3.5" RGB 320X240 Color TFT LCD
Video System	NTSC/PAL Auto Detecti on
Record Mode	Normal/Motion/Schedule/Pre-Event
Maximum Resolution	720P (1280x960)
Resolution Mode	320x240/640x480/720x480/1280x720/1280x960 Real Time
Frame Rate	1 / 5 / 10 / 20 / 30fps Adjustable
Bite Rate	High / Medium / Low Adjustable
Video Format	MPEG-4 ASF(Windows Media Player supported)
Picture Format	JPEG
Storage	Built-in 60GB HDD & SD Card (Supports up to 32GB SDHC)
Time Stamp Format	YYYY/MM/DD(America) DD/MM/YYYY(U.K.)
Frame Counter	Yes
PC Interface	USB 2.0
DC12V to Camera	DC12V 180mA Max(through optional remote switch)
DC5V to Camera	DC5V 250mA Max
Battery Type	Removable 3.7V 2200mA Lithium Battery
Battery Recording Time	170 Minutes
Power Consumption	650mA
Power Supply	DC5V 2A
Dimensions	130(L)X83(W)X26(H)mm
Weight	265g(without battery)

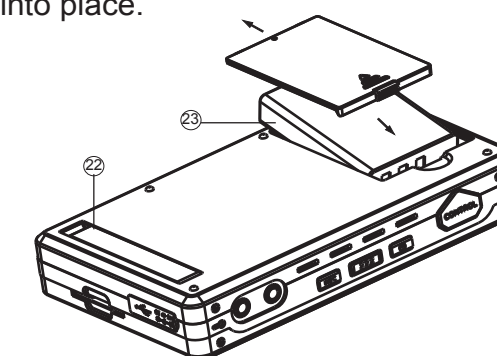
*A Duo-Core CPU computer is recommended when playing videos recorded at 720P.



- | | | |
|----------------|-------------------------|------------------------|
| 1.Control Port | 9.SD Card Slot | 17.SET UP Key |
| 2.Power Key | 10.RESET | 18.REC Indication LED |
| 3.HOLD Key | 11.Photo Capture Key | 19.5V Camera In |
| 4.REC Key | 12.IR Sensor | 20.Speaker |
| 5.A/V OUT | 13.Volume Down | 21.Power/Charge LED |
| 6.A/V IN | 14.Volume Up | 22.Stand Holder |
| 7.DC IN | 15.5-Way Navigation Key | 23.Battery Compartment |
| 8.USB Port | 16.STOP/ESC Key | |

Inserting the battery

1. Remove the battery compartment cover in the back of PV-1000 as shown in illustration.
2. Align the golden contacts of the supplied battery with corresponding connectors on the PV-1000, and push the opposite end of the battery until it fits into place.



Charging the battery

Before using PV-1000 for the first time, charge the battery for 4 hours.

1. Plug the supplied DC 5V power adapter to an AC wall outlet then connect the other end of the power cord to the DC IN socket on the side of PV-1000.The red Charge indicator LED will illuminate on while the battery is charging.
2. Disconnect the PV-1000 from supplied DC 5V power adapter once the red Charge indicator LED has turned off. The PV-1000 is now fully charged and is ready to work.

