



Manual

for download at www.CamOnetec.com



Vers.: 1.04

CamOneTec is a Division of ACME the game company GmbH, Germany
"FlyCamOne", "CarCamOne" and "CamOne" are registered Trademarks of ACME the game company GmbH, Germany
© copyright 2012 by CamOneTec

Safety advice

WARNING:

Follow these instruction to prevent damage of the unit:

- DO NOT USE UNPROTECTED IF RAIN OR WATER. PREVENT CONTACT WITH ANY KIND OF LIQUIDS
- USE RECOMMENDED ACCESSORIES ONLY
- DO NOT DISASSEMBLE
- THERE ARE NO PARTS AT THE INSIDE THAT NEED TO ME MAINTAINED
- REPAIRS SHOULD BE MADE BY QUALIFIED PERSONNEL ONLY

SERVICE & SUPPORT

CamOneTec

by ACME

Industriestr. 10a
33397 Rietberg
Germany

Tel: +49 5244 7000 70
service@camonetec.com

or

http:// www.camonetec.com

WARNING Li-Po BATTERY

- Mishandling the battery may occur explosion, fire and smoke including damage of health or goods. It will also reduce battery performance.
- Never charge a damaged Li-Po battery pack.
- Stop charging if the Li-Po battery pack is getting deformed (blown up).
- Charge and store the battery pack at a temperature of 0°C to 40°C – avoid a temperature higher than 60°C when discharging.
- Do not shortcut – Risk of explosion and fire!

CE Declaration

Herewith we declare that this item is in accordance with the essential requirements and other relevant regulations of the directive 2004/108/EC. A copy of the original declaration of conformity can be obtained at the address above.



WEEE Reg. Nr.: DE64989527

Information for disposal of crossed Bin marked products

This symbol is marked on a product or packaging, it means that the product including the batteries must not be disposed of with your general household waste. Only discard electrical/electronic items in separate collection schemes, which cater for the recovery and recycling of materials contained within. Your co-operation is vital to ensure the success of these schemes and for the protection of the environment.



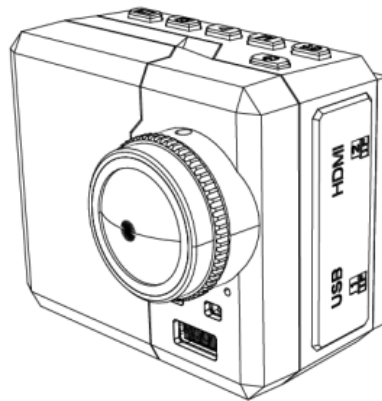
This product uses Li-Ion batteries. Li-Ion batteries are recyclable, and a valuable resource. To dispose of the battery, remove it and take it to a resource recovery facility.

ATTENTION!

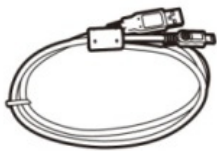
The privacy of others is protected by law and should be taboo. The recording of third party can be an illegal act. You are responsible for your acting. Electrostatic discharge or strong electromagnetic fields can affect the Camera. Restart the Camera in this case.

Content of Box

Check the completeness before using the product



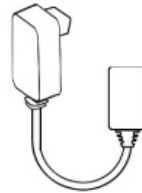
CamOne Infinity Camera 1080p



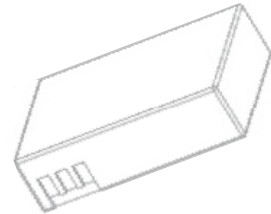
USB-Cable



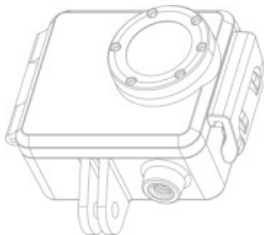
USB -AV-Cable



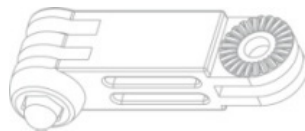
Ten-2-Ten Adaptor



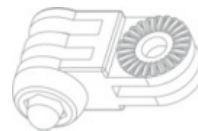
Battery



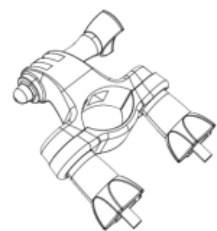
DiveBox



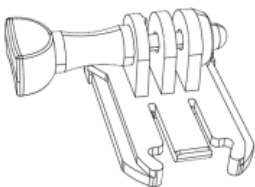
Long connector



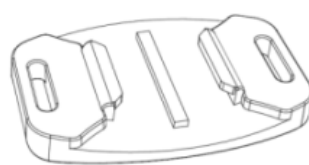
Short connector



Handlebar Mount



M-Mount



Helmet Mount



Universal Mount



Velcro Pad small



Velcro Pad big



Manual

Preparation

Compensation for recorded content

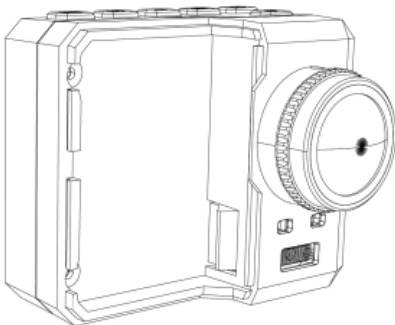
ACME will not be responsible in any case for any consequential or direct problems that will lead to a loss of recorded or edited data. Furthermore ACME will not guarantee the content in case the recording or saving is not working properly. The above limitations are as well valid in case the unit has been repaired.

Do not remove the micro SD Card while recording or saving. Do not switch off or take out the battery before the recording has been stopped or as long there is access to the memory, indicated by a rotating circle.

Protect the unit from extreme temperatures. Stop recording at temperatures less than minus 10°C and higher than 50°C. Remove the camera from the windshield/sucking pad in case extreme temperatures might be possible!

It is known that forged accumulators which remarkably look like the original product are offered for the sale again and again. Some of these accumulators are not equipped with a proper protection circuit which would satisfy the regulations of the prevailing safety regulations. These accumulators can perhaps lead to fires or explosions. We assume no liability for accidents, damages or failures which result from the use of a forged accumulator.

Insert the battery



Push the battery lock compartments to the side and remove the cover. Below this you will find the battery case. Insert the battery by following the golden contacts inside the cam.

Only use the original battery (Art-No.: COIN08). Batteries of other suppliers may have different polarities and cause damages!

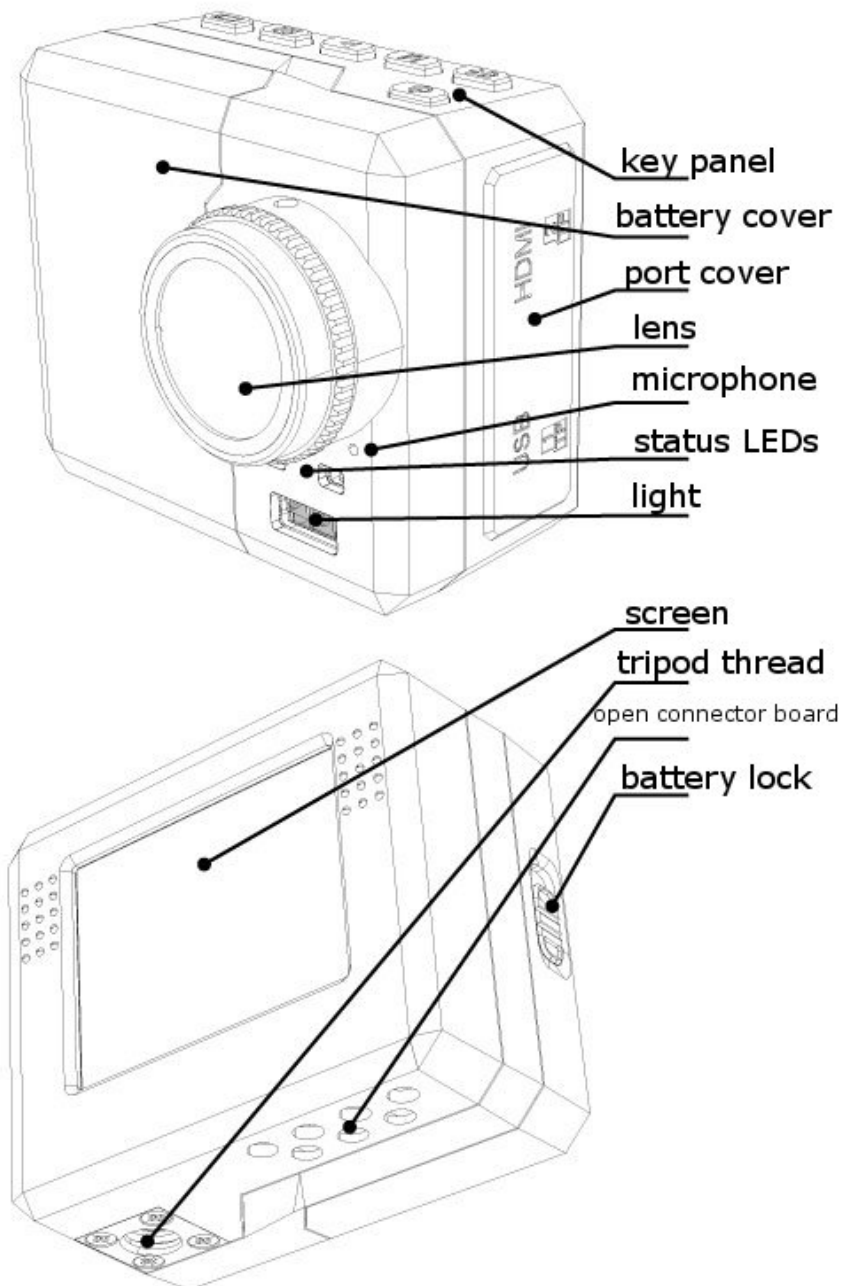
Charging the battery

The inside battery is not fully charged when being purchased. Please charge the battery before you are going to use the CamOne Infinity the first time!

Connect the camera with your computer using the included USB-cable. The charging process is indicated by the red LED light which switches to green as soon as charging is finished. Charging takes around 3 hours.

You can alternately use the 5V USB-Power adaptor (Art. No.: FCHD43).

Functional diagram



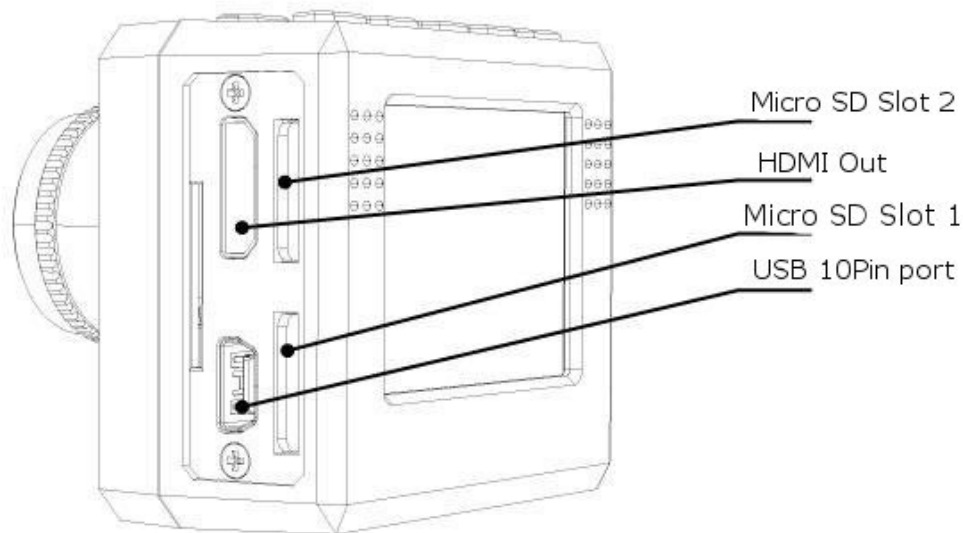
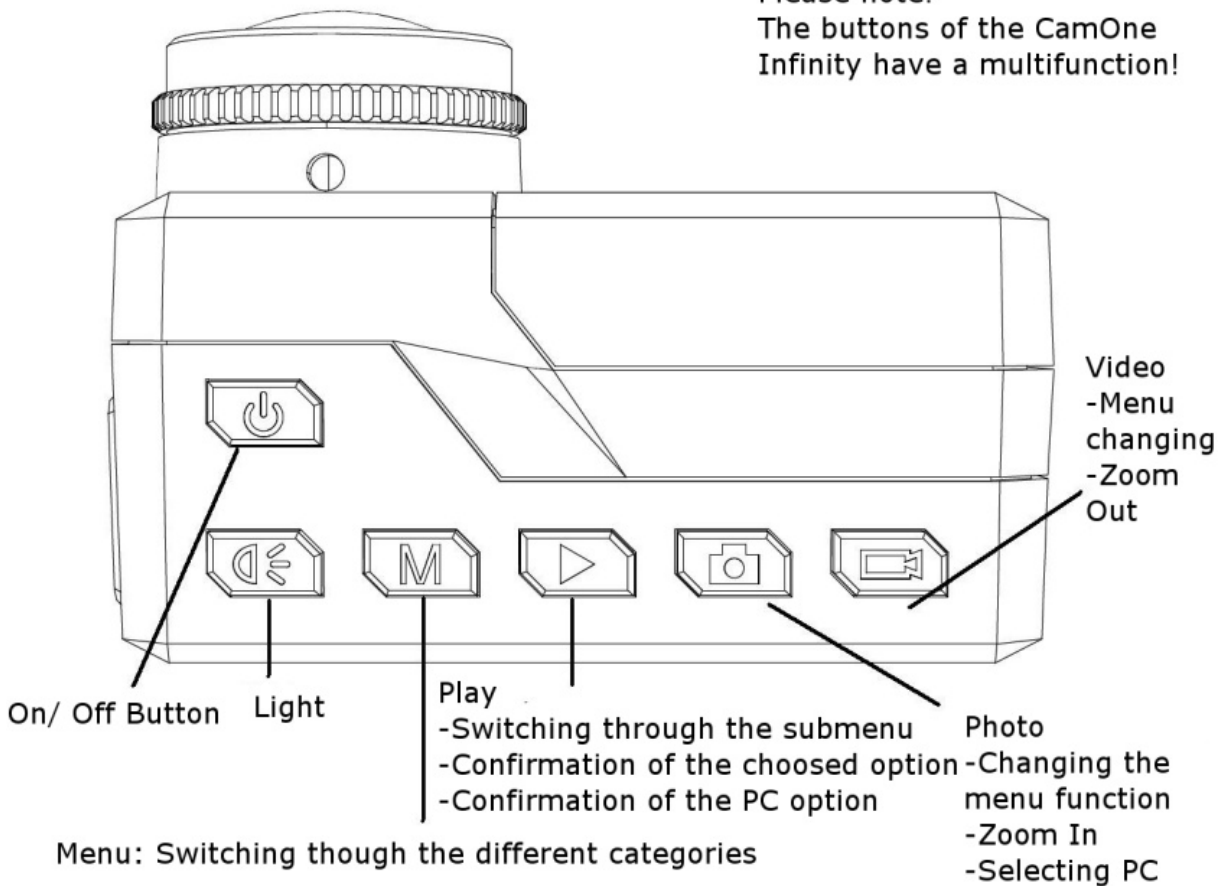
The USB comport has the following setup:

- AV-Out
- 5V IN
- Signal IN for external Start/Stop (CarCamOne-Cable / Motion sensor)
- GPS-Module / Video transmitter Set data input

Due to limitations in the technology of the display production, single or few dark or light dots might appear. This is not a defect and will not have any impact to the recorded video or photo!

Key Panel – Interface Overview

Please note!
The buttons of the CamOne Infinity have a multifunction!



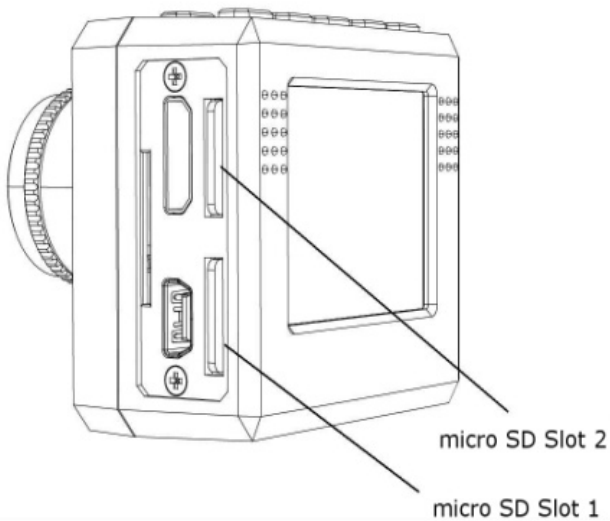
Compatible cards



Only use Micro-SDHC-Cards rank „Class4“ or higher. The camera can be used with cards up to 32GB. The recommended cards are "FCO Rapid Rush" cards at a minimum size of 8GB.

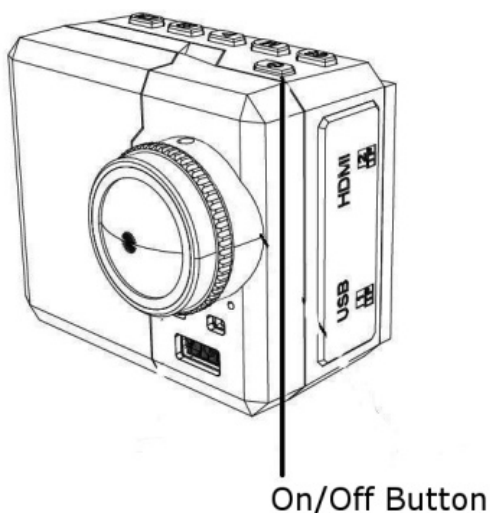
Using a 32GB card allows a recording time of 4,5 hours at highest resolution.

Insert/ Remove Memory Card



Remove the comport cover protecting the sockets and the card slot. Slide in the card **upside down** - printed side to the bottom - until it clicks in. Use Slot 1 at first. If you are using 2 cards, the cam automatically switches to the second card as soon as the memory is full. To remove press onto the visible edge of the card, so it will get out by the spring mechanism.

Turn on the camera



On/Off

Press the power button on the top of the cam until it turns on.

Icons at the Display

Due to the different configurations, you will see various icons on the display:

Video/Photo recording Duration Timestamp Battery status

System time Memory cards Resolution Quality

Remaining capacity

SETUP Menu

Please press the M- Button for 3 seconds to enter the setup.

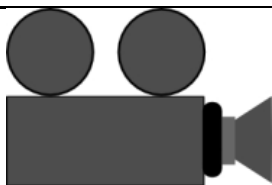
The menu is divided in 3 categories that can be selected by the different tabs (Photo, Video and system settings). By pressing the M- Button you will enter the next tab. To exit the menu, press the M- Button for a longer time.



Photo-Menu

Here you can select all necessary settings for photo recordings.

- Picture quality: Choice between 3, 5 or 8 Mega Pixel
- Photo Intervals: Off, quick recording of 3 or 5 pictures directly behind each other
- Serial Picture: Off, pictures will be shot every 3 Sec., 5 Sec., 10Sec., 30 Sec. or 60 Sec.
- Time stamp: On or Off (embedded in the picture)



Video-Menu

Here you can select all necessary settings for video recordings.

- Video Format: 480pH (720 x 480 Pixel) | 60 FPS
720p (1280 x 720 Pixel) | 30 FPS
720pH (1280 x 720 Pixel) | 60 FPS
1080pS (1440 x 1080 Pixel) | 30 FPS
1080p (1920 x 1080 Pixel) | 30 FPS
- Recording Quality: Low, Medium or High
- Recording: Duration of the recording: 5, 10, 15, 20 or 30 Minutes. Due to the data volumes a longer recording is not possible and the camera automatically starts a new video.
- Time stamp: On or Off (embedded in the video)
- Time lapse: Off, 1 frame per Second (FPS), 1 frame per minute (FPM), 2 FPM or 6 FPM
- Loop Mode: Overwriting of older recordings on or off (in case of storage space is wasted)
- File format: Choice between MPEG4 or MOV format
- Microphone: On or off



System Settings

Here you can choose all general settings.

- Languages: Choose between German, English, French, Spanish, Italian, Dutch or Norwegian
- Date: Setting the date (Year-Month-Day) Switch through with the M-Button

-Time:	Setting the time (Hour : Minute) Switch through with the M-Button
-Auto Screen Off:	Battery saving to be selected here: Off, 30 Sec., 60 Sec. or 120 Sec.
-Auto Power Off:	Select the Auto off function: Off, 60 Sec., 120 Sec. or 300 Sec.
-Motion detection:	Off, low, medium or high
-Flip picture:	Off or 180° flipped
-Image mirroring:	Off or mirrored
-Light Frequency:	50/60Hz - Before you start recording indoor, choose the correct frequency: Europe, Asia and Australia: 50Hz America: 60Hz Japan: Depending on the area 50 or 60Hz
-Video System:	NTSC or PAL
-Status LED:	On or Off of the front LEDs
-Card formatting:	Choice between Slot 1 or Slot 2 (All recorded data will be deleted!)
-Factory setting:	Resetting the camera
-Firmware:	Information about current firmware and update

Please note that some functions are only available after a firmware-/ software update.

Using the DiveBox and different mounts

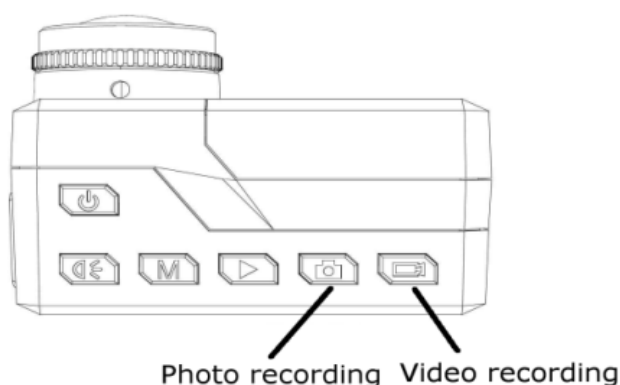
Please make sure that the lens of the cam and also the lens-protection of the inner side of the box is clean.

Insert the cam on the front side first. Please check carefully that the fastener of the box is properly locked. The cam can still be operated though the buttons. Pay attention that the rubber seal is proof and not damaged.

When using the bike or helmet mount, please pay attention that the adjusting screws are fixed tightly.

Mounts that are glued on must have a clean surface.

Photo/ Video recording



Right after switching on the Cam it is possible to take pictures or videos by pressing the 'record' button.

Press the button again to stop the recording. Never remove the SD-card or the battery during the data-saving. (shown with a rotating circle in the display).

Time lapse recording

Press the „M-Button“ to enter the setup menu. Choose the video menu and then „Time lapse“. You can choose between: Off, 1 FPS, 1 FPM, 2 FPM or 6 FPM.

Confirm the requested function and leave the menu.

By pressing the record button you can start the video. By pressing this button again the recording is stopped and will be saved on the memory card. If you are planning to record for a longer time, we recommend to turn off the screen in order to save power (Menu: „Auto Screen Off“).

Photo Serial Recording

Press the „M-Button“ to enter the Setup Menu. Choose the photo menu and then „Serial Picture“.

You can choose between: Off, every 3 Sec., 5 Sec., 10 Sec., 30 Sec. or 60 Sec. Confirm the requested function and leave the menu.

By pressing the record button photos will be shot. By pressing this button again the recording is stopped and will be saved as JPG on the memory card.

Photo Interval

Press the „M-Button“ to enter the Setup Menu. Choose the photo menu and then „Photo Interval“.

You can choose between: Off, 3 or 5 photos.

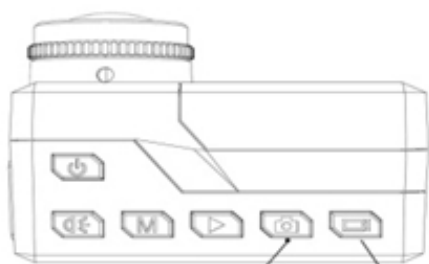
Confirm the requested function and leave the menu.

By pressing the record button the camera will release the intervals. The photos will be saved as JPG on the card.

Using the zoom

During the recording (Video) in mode 480pH and 720p you can Zoom In and Out. The zoom will be shown by a status bar in the display. Zooming in 1080p and PAL mode is not possible.

By pressing the Video or Photo button you can choose the zoom factor.



Zoom In Zoom Out

Playback of Videos and Photos

To watch your recorded data, press the „Play“ button.

You have the choice between photos and videos. Choose this with the Photo and Video button.

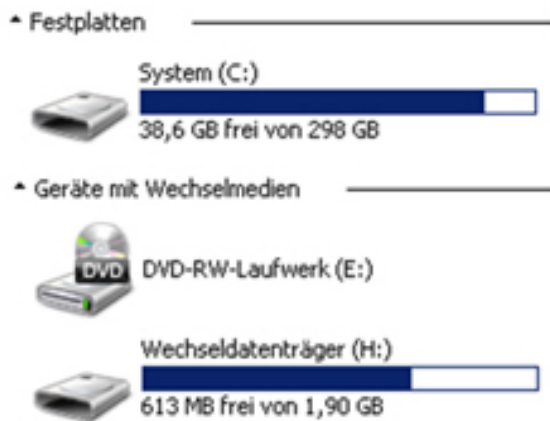
Confirm your choice by pressing the Play button.

To playback the recordings, press „Play“. The display shows the name of the files.

Playback on the TV

Connect the camera with your TV by using a HDMI Cable or the supplied USB-AV Cable and switch to the corresponding channel. Enter the Playback Mode on the camera to watch your videos.

Playback on PC (MS Windows)



The videos can be easily watched on your PC.

We recommend the free VLC- Player.

This can be downloaded on www.vlc-player.org

Connect the camera to your PC by using the USB- Cable. Turn on the camera.

Choose the card access with the buttons „Photo and Video“ and confirm with the Play button. The PC will recognize the cam as a hard drive.

The display will show „Connect to PC“ for a short time.

Usage of external Video Transmission / Screen / Motion Sensor / GPS (optional)



With the supplied Ten2Ten Adaptor you can easily connect the camera with many accessories of the FlyCamOne HD family.

Plug in the adaptor to the USB plug of the cam and connect the accessories.

The following products are available (optional):

-GPS Module (Art. No. FCHD15)

Indication of various GPS-Data

-2,5“ external screen (Art. No. FCHD02)

Watch the video on the bigger display. The camera display shuts off automatically.

-Video Transmission 5,8GHz (Art. No. FCHD03)

Transmit the picture on the screen or the video goggles. The camera display shuts off automatically.

For more detailed advice please contact the homepage www.CamOneTec.com

Replacing the lens (optional)

To replace the lens, twist off the adjusting ring from the lens.

Please pay attention that no dust or dirt get into the cam.

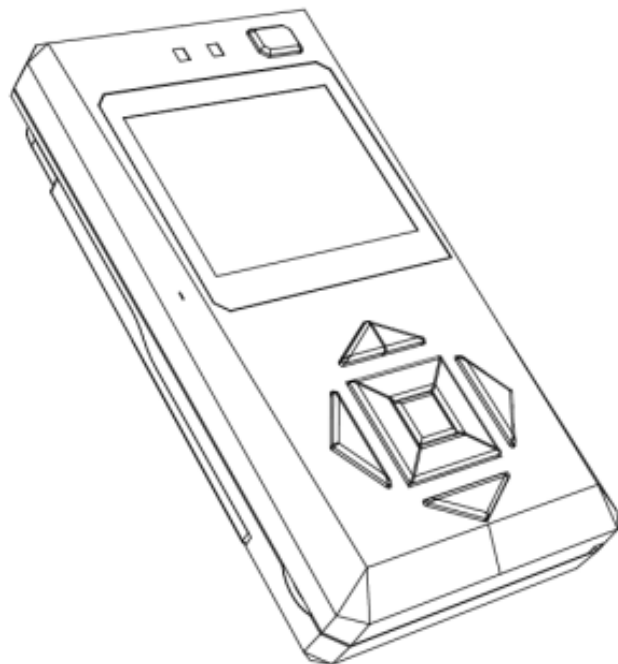
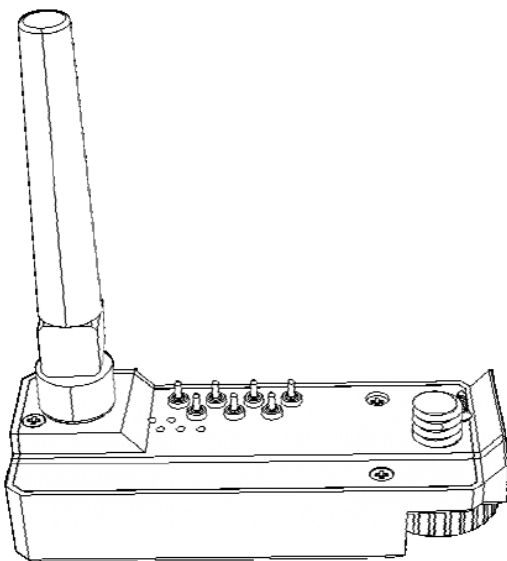
Screw in the replacement lens. Check the sharpness with a TV. Fix the cam with the two screws.

Please note! Inappropriate opening may damage the camera head and ports.

Perform this work very carefully and take your time!

LinX 2.4GHz Digital Video Transmission & Remote (optional)

In conjunction with the optional bi-directional LinX 2.4GHz digital transmitter (Art.-No.:COIN10) you can control the camera up to a distance of 300 meters (on view) and watch the video image also. Obstacles may affect the range.

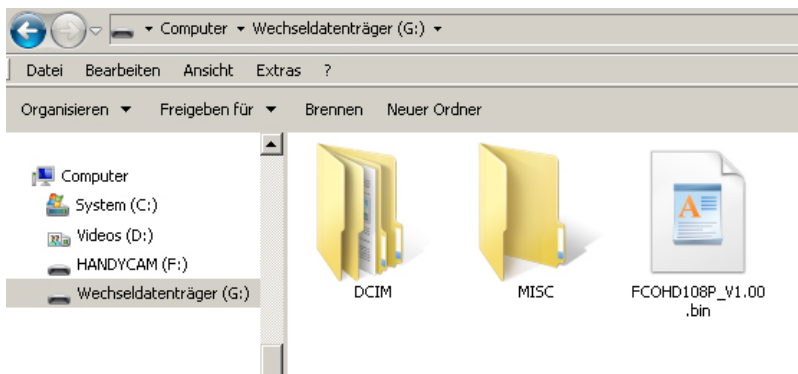


The LinX System is able to control several cameras and supports also the direction of the cam using the looka-O-module.

Firmware Update

To get the most out of your camera, install the latest software (Firmware).

The firmware version of your camera is shown in the **system settings**.



Download the ZIP file from our homepage first.

Unzip the downloaded folder and copy the contained BIN file on the main root of the memory card. Enter the system settings of the camera and choose Firmware Update -> "Yes" and confirm with the "Play"- button.

This process takes about 1 minute. The display shows the procedure.

Do not turn off the cam while updating!
Make sure that the battery is fully charged.

Technical Data

Operating Voltage:	5V (USB) / 3,7V (LiPo-Battery, 800mAh)
Consumption:	250 - 450mAh (depending on camera settings)
Size:	49 x 42 x 34mm
Weight:	77g incl. battery
Battery:	3,7V 900mAh LiPo
Format:	MPEG4 or MOV
Sensor:	5MPix CMOS
Lens:	170° (exchangeable)
Zoom:	digital 4times (only NTSC)
Screen:	1,5" / 38mm TFT
Microphone:	yes (Mono, 48 kHz)
AV-Output:	yes, via USB-10 Pin
USB:	Hi-Speed USB (2.0)
HDMI:	yes, 1.2
Interface:	Open Connector Board (OCB, bottom of the cam)
Remote:	yes, LinX- Digital Video System 2,4 GHz/ Wi- Fi (optional)
Operating-/Storage temp.:	10°C till 50°C
Memory:	Micro SD/SDHC-<= 32GB – Class 4 or higher 2 slots for cards with 32GB each
White balance:	automatically

Troubleshooting

Error	Reason	Solution
Camera switches off immediately after switching ON	Battery is not charged correctly.	Charge the camera for at least 4 hours.
Unable to switch ON the camera	Battery is not plugged correctly.	Check connection between camera and battery.
	Battery is defective.	Replace the battery.
	The camera had a hang-up during recording.	Remove the battery for 10 seconds.
The Video jerks when playing at the PC.	The USB- connection is too slow.	Download the file to the PC first.
	The micro SD- Card is too slow.	Try one of the recommended micro SD- Cards.
	The computer is too slow	Connect the camera and your TV with the AV- Cable.
	The data rate is too high for the computer.	Reduce data rate to "Standard".
The video is turned 180°	Wrong Settings	Use setup configuration To turn the picture
Date and time will not be displayed in a correct way	Wrong Settings	Change Settings in the Setup
Display shows „Error“	The memory card is not working correctly	Format the memory card. Card is possibly damaged.



Art-No.:	EAN	Item
FCHD02	4260033 049520	FlyCamOne HD Screen 2,5"; 150cm cable
FCHD03	4260033 049537	FlyCamOne HD Transmission Set 5.8GHz; Range 300m
COIN08	4260033041975	CamOne Infinity Battery LiPo 3,7V 800mAh
COIN10	4260033041968	CamOne LinX 2.4GHz Digital Remote
COIN11	4260033041975	CamOne Infinity DiveBox
COIN12	4260033041982	CamOne Infinity Handlebar Mount
COIN13	4260033041999	CamOne Infinity Ten-2-Ten Adaptor
COIN14	4260033042545	CamOne Infinity Connector 1x long / 1x short
COIN16	4260033042569	CamOne Infinity M-Mount
COIN17	4260033042576	CamOne Infinity Helmet Mount
COIN18	4260033042583	CamOne Infinity Universal Mount
COIN19	4260033042590	CamOne Infinity Velcro Pad small 5x
COIN20	4260033042606	CamOne Infinity Velcro Pad big 5x
COIN21	4260033042613	CamOne Infinity USB-AV Cable
COIN22	4260033042620	CamOne Infinity 170° Lens
COIN23	4260033042637	CamOne Infinity Lens Cap
COIN25	4260033042750	CamOne Infinity Mono Pod
COIN26	4260033042767	CamOne Infinity Surfmount 360°
COIN27	4260033042774	CamOne Infinity Wifi Module
COIN29	4260033042798	CamOne Infinity Release Button
COIN30	4260033042804	CamOne Infinity Bullet Time Cable
FCHD16	4260033049667	FCHD Rapid Rush 16GB Micro SD-Memory Card
FCHD32	4260033049827	FCHD Rapid Rush 32GB Micro SD- Memory Card
FCHD43	4260033048578	USB Power adaptor 110-220V (Charging with socket)

...get inside at www.camonetec.com